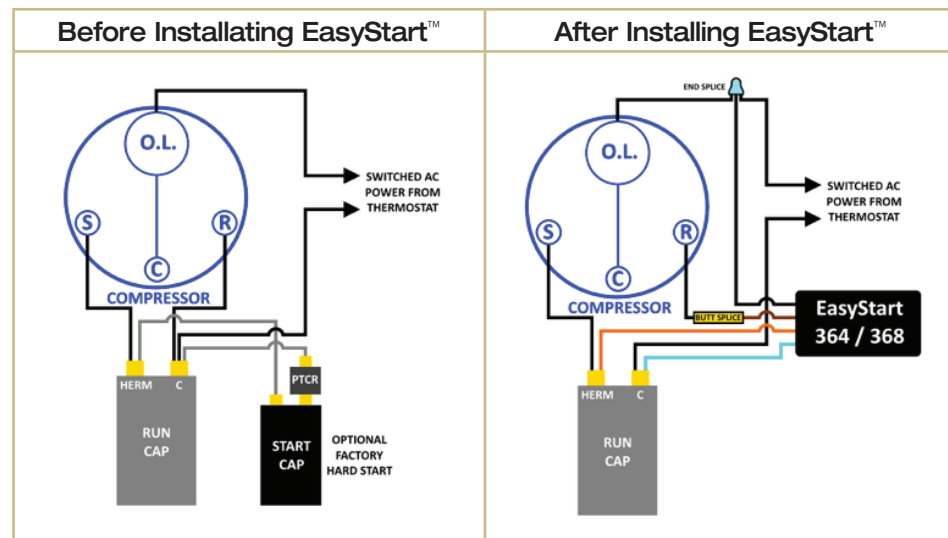


EasyStart's IP65 enclosure allows you to mount it anywhere.  
Wiring is very straight-forward as shown below.



## What Is EasyStart™ & What Can It Do?



124 Route 526 | Allentown, NJ 08501  
Tel: 609-259-2636 | [www.microair.net](http://www.microair.net)

Commitment to Quality | ISO 9001 Certified



124 Route 526 | Allentown, NJ 08501 | Tel: 609-259-2636 | [www.microair.net](http://www.microair.net)

# EasyStart™ is the Most-Sophisticated, Best-Performing, And Lowest-Cost Soft Starter In The World!

## Benefits

- Start Your A/C without buying a second or bigger generator or inverter
- Run 2 Air Conditioners on a 30-amp cord
- Sleep, with less noise interruptions, and cool all through the night
- Run Your A/C with more appliances at the same time

EasyStart™ is the perfect solution that allows an air conditioner to operate on a generator, inverter, or limited utility power when it would otherwise not have functioned.

It has been proven that EasyStart™ can start and run any RV rooftop A/C on a Honda EU2000i generator from ECO mode!

EasyStart™ is a one-of-a-kind, advanced soft starter for single-phase motors operating at 115VAC or 230VAC, 50Hz or 60Hz, custom developed and manufactured by Micro-Air.

The EasyStart™ 364 and 368 both include a fully-weatherproof (IP65), flameproof, plastic enclosure with an integrated mounting flange and a wiring harness.

### EasyStart™ Soft Starter Models:

- The model 364 is meant for A/C units from 5 to 36kBTUs.
- The model 368 is meant for A/C units from 37 to 72kBTUs
- The model 366 has 2 variations, and is mean for 5-36kBTUs or 37-72kBTUs

### How Is A Hard Start Different From An Easystart™?

Hard starts are simply a start capacitor in series with a PTCR.

Hard starts actually increase the start-up amperage, but slightly reduce the start-up duration.

EasyStart™ is totally different since it dramatically reduces the start-up amperage and distributes it over a longer period of time.

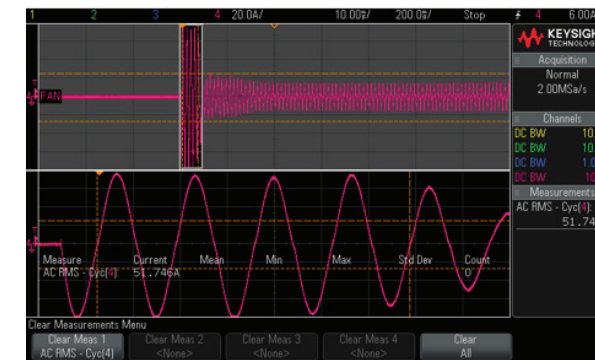
### EasyStart™ Additional Protection Benefits

EasyStart™ continues to monitor and protect the compressor, even after the start-up sequence is completed. It checks for the following fault conditions and will light fault LEDs on the circuit board if any of these conditions occur, and will wait 5 minutes before attempting another restart:

- Stall – If the compressor stops rotating after the startup sequence is completed, perhaps due to low AC voltage (brownout).
- Overcurrent – compressor draws more current than the EasyStart™ is rated for.
- Open Overload – If the Compressor overload protector (Klixon) opens due to compressor overheating or excessive current draw.
- Wiring – EasyStart™ wiring becomes disconnected or was improperly installed.
- Power Interruption – If a very short duration (50ms) power interruption occurs, which is typically enough to stall the compressor.
- Short-Cycle Prevention – If the thermostat calls to run the compressor again before 5 minutes has expired. This allows the internal refrigerant pressures to equalize. Note that this 5-minute timer is “smart” in that it even keeps track of the elapsed time while power is completely removed from the EasyStart™.

Examples of How Easystart™ Works & Performs:

Factory Configuration on Utility Power:



EasyStart™ on Utility Power:



Factory Configuration on Honda EU2000i in ECO:



EasyStart™ on Honda EU2000i in ECO:



## Advantages

- A highly-sophisticated, micro-processor-controlled system that employs a 4-part start ramp, precisely sequenced using real-time, closed-loop control, that optimizes itself.
- It “learns” the compressor motor during the first five startups.
- This advanced system enables EasyStart™ to deliver up to 65-75% start current reduction.
- EasyStart™ also has numerous specialized fault checks not found in any other soft starter that provide further protection for your compressor motor.

EasyStart™ can also be applied to certain refrigeration compressors, air compressors, and watermaker pump motors.